

DESCRIPTION

Series 200 Shelves are fabricated in one piece from type 304 stainless steel for a lifetime of durability. Models 210 and 220 are free-standing. Model 230 is intended to be mounted in conjunction with Series 100 Channel Framed Mirrors or Series 900 Angle Framed Mirrors.

TECHNICAL DATA

Material: 18 gauge type 304 stainless steel with a PVC protected #4 brushed satin finish.

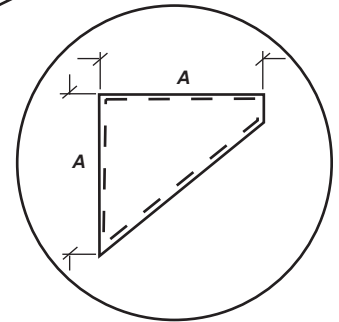
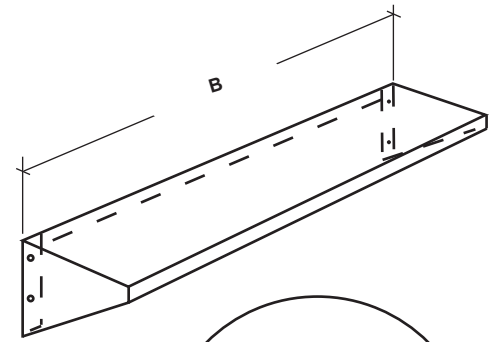
Size: Series 200 Shelves come in a variety of widths and lengths.

INSTALLATION

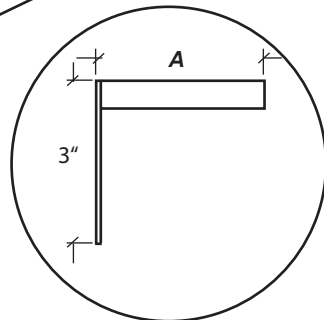
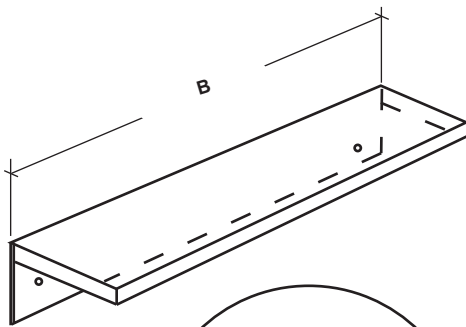
Series 200 Shelves are meant to be mounted with mechanical fasteners appropriate for existing wall conditions.

SPECIFICATION

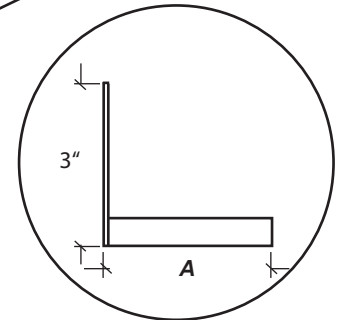
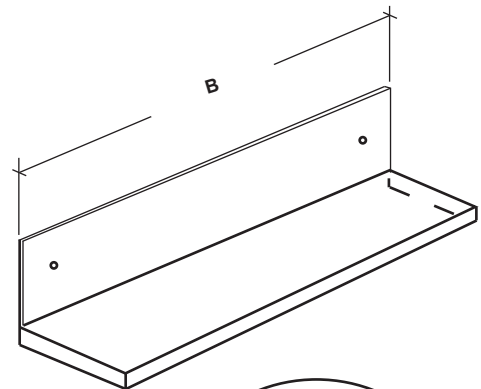
Stainless Steel Shelves shall be Series 200 as manufactured by JSM, Rancho Dominguez, CA.



Model 210



Model 220



Model 230