

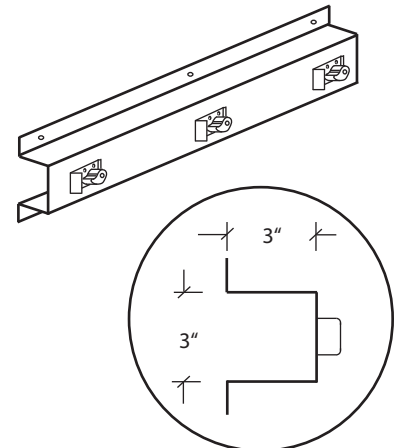
### DESCRIPTION

Series 300 Janitorial Accessories are fabricated from type 304 stainless steel for years of service. Hooks and holders are securely attached in appropriate quantities.

### MODEL 310: MOP & BROOM HOLDERS

Material: Shelves: 18 gauge type 304 stainless steel with a PVC protected #4 satin finish.  
Holder: Heavy gauge galvanized steel and spring-activated solid rubber cam.

Sizes:	Model#	Length	Holder
	312	24"	3
	313	36"	4
	314	48"	5

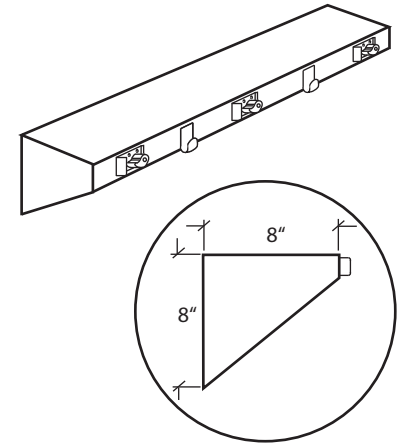


Model 310

### MODEL 320: JANITORIAL SHELVES

Material: Shelves: 18 gauge type 304 stainless steel with a PVC protected #4 satin finish.  
Holder: Heavy gauge galvanized steel and spring-activated solid rubber cam.  
Hook: 22 gauge type 304 stainless steel with a #4 satin finish

Sizes:	Model#	Length	Holder	Hook
	322	30"	3	2
	323	36"	4	3
	324	42"	5	4
	325	48"	6	5

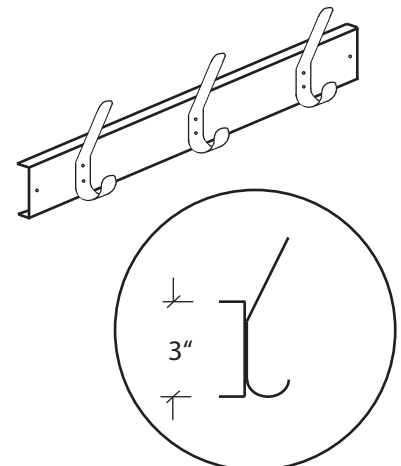


Model 320

### MODEL 330: HOOK STRIPS

Material: Shelves: 18 gauge type 304 stainless steel with a PVC protected #4 satin finish.  
Hook: 16 gauge type 304 stainless steel with a #4 satin finish

Sizes:	Model#	Length	Hook
	332	24"	3
	333	36"	4
	334	48"	5



Model 330

### INSTALLATION

All Series 300 Janitorial Accessories are pre-punched and intended for mounting with mechanical fasteners appropriate for existing wall conditions.

### SPECIFICATION

Stainless Steel Janitorial Accessories shall be Series 300 as manufactured by JSM, Rancho Dominguez, CA.