

DESCRIPTION

Series 600 Stainless Steel Partition Hardware are made to fit 1" or 1 1/4" laminated toilet partitions, and are fabricated from type 304 stainless steel with a PVC protected #4 satin finish.

SERIES 610 ONE PIECE PILASTER SHOES

22 gauge type 304 stainless steel, 4" high, to fit 1 1/4" laminated partitions. Custom sizes are available.

SERIES 620 RETROFIT PILASTER SHOES

22 gauge type 304 stainless steel, 4" high, to fit 1 1/4" laminated partitions. Fabricated in four pieces to allow for mounting after pilaster is in place. Custom sizes are available.

SERIES 650 WALL BRACKETS

14 gauge type 304 stainless steel, to fit 1 1/4" laminated partitions. Custom sizes are available.

SERIES 660 FULL LENGTH WALL BRACKETS

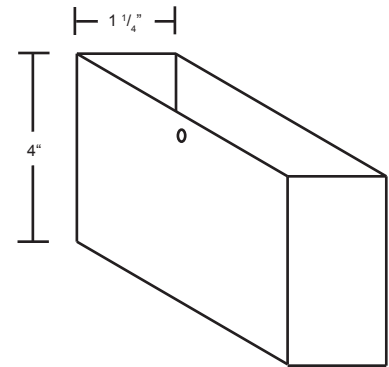
14 gauge type 304 stainless steel, to fit 1 1/4" laminated partitions. Standard length is 58". Custom sizes are available.

SPECIFICATION

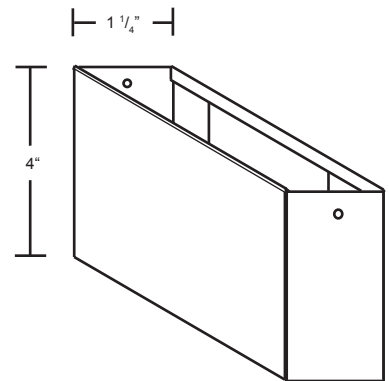
Stainless Steel Partition Hardware shall be Series 600 as manufactured by JSM, Rancho Dominguez, CA.

GUARANTEE

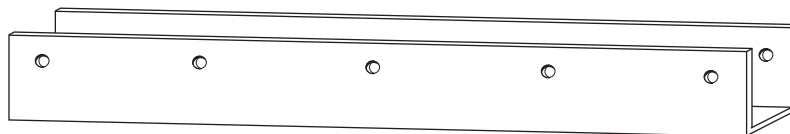
600 Series Stainless Steel Partition Hardware are guaranteed for five years from shipping date against defects in materials and workmanship.



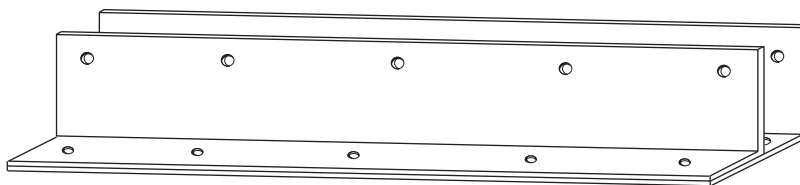
Model 610



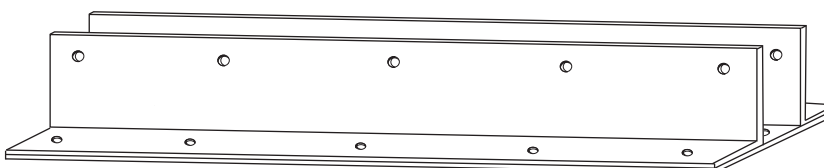
Model 620



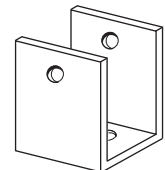
Model 661



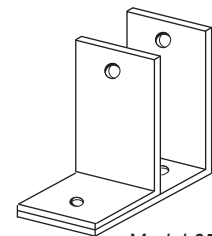
Model 662



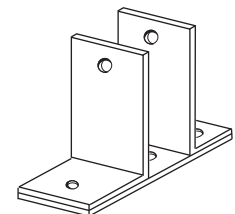
Model 663



Model 651



Model 652



Model 653